

Emergency stop with 2 positive opening

contacts in a 42mm enclosure

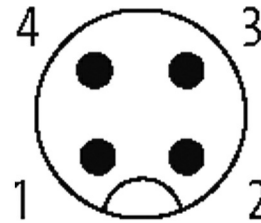
E-Stop 42 2NC M12(4)
with M12 connection
4-pole
Emergency-Stop button
2 NC (positively-opening)

Illustration

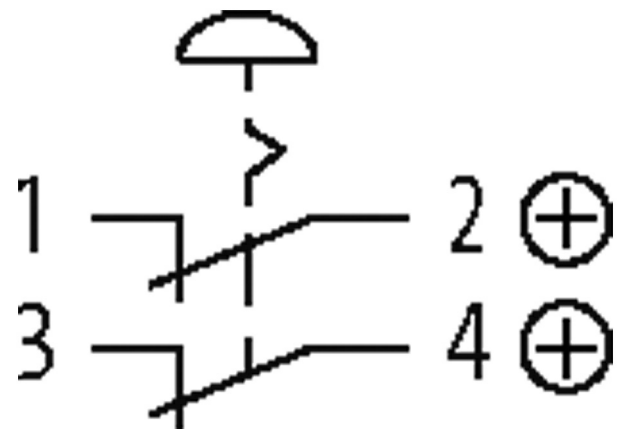
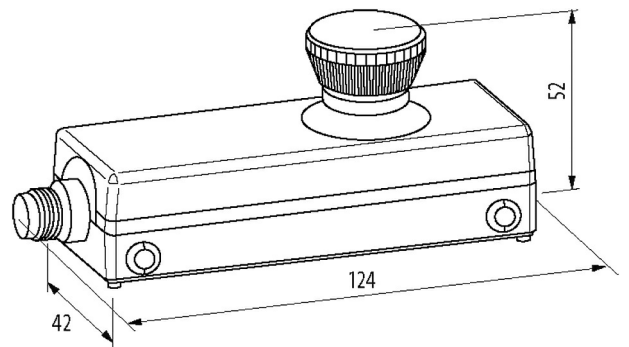
stay connected



Male



- PIN 1: N/C 1
- PIN 2: N/C 1
- PIN 3: N/C 2
- PIN 4: N/C 2



Product may differ from Image

Approvals



Contact Layout

PIN 1	N/C 1
PIN 2	N/C 1
PIN 3	N/C 2
PIN 4	N/C 2

Utilization category

AC-15	1.5 A (240 V AC)
DC-13	2 A (24 V DC)

General data

Mech./ elect. life	50 000 actuations, load-temperature dependent
Lambda (d)	20% (N/C)
Material (contact)	Ag Ni
B10d	250 000
Protection	IP65
Connection	M12 (4-pole)
Mounting method	with clip on back
Temperature range	-25...+70 °C (storage temperature -25...+85 °C)
Dimensions H×W×D	52×124×42 mm

Technical Data

Switching capacity	15 A (AC 15); 2.2 A (DC 13)
Contact bounce time	max. 10 ms

Commercial data

country of origin	DE
customs tariff number	85365080
EAN	4048879594097
eClass	27371244
Packaging unit	1